



FUEL MANAGEMENT SYSTEMS



DISPENSERS



KITS



PUMPS



METERS



NOZZLES

# PITSTOP

## FEATURES

- **READY TO INSTALL**
- **VERSATILITY**
- **STURDY STRUCTURE**

The PIUSI PITSTOP is a dispenser unit with two DC pumps, automatic hose reel, water filter and automatic nozzle with 14 meter. hose integrated into a sturdy supporting structure. Easy to install, versatile and compact, this dispenser is the all-in-one solution for setting up a perfect mobile refueling unit.

### PERFORMANCE

UP TO

**45 L/MIN**

FLOW RATE

**12/24V**

VOLTAGE

POWER

**14MT**

HOSE LENGTH

HOSE REEL

**200β/30μ**

FILTERING CAPACITY



PITSTOP



### PACKAGING

| CODE      | WEIGHT |     | PACKAGING   |                |         |
|-----------|--------|-----|-------------|----------------|---------|
|           | KG     | LBS | MM          | INCH           | PCS/BOX |
| FO0212000 | 45     | 99  | 595X465X670 | 23,4X13,5X24,4 | 1       |
| FO0213000 | 45     | 99  | 595X465X670 | 23,4X13,5X24,4 | 1       |



FILTRATION



TANK MONITORING



HOSE REEL



ACCESSORIES



MERCHANDISE

# PIUSI

BS

ANY BIODIESEL

A

AIR

A

ANTIFREEZE

Ad

AdBlue®

B

BIODIESEL

D

DIESEL

F

FOOD

G

GASOLINE

G

GREASE

K

KEROSENE

O

OIL

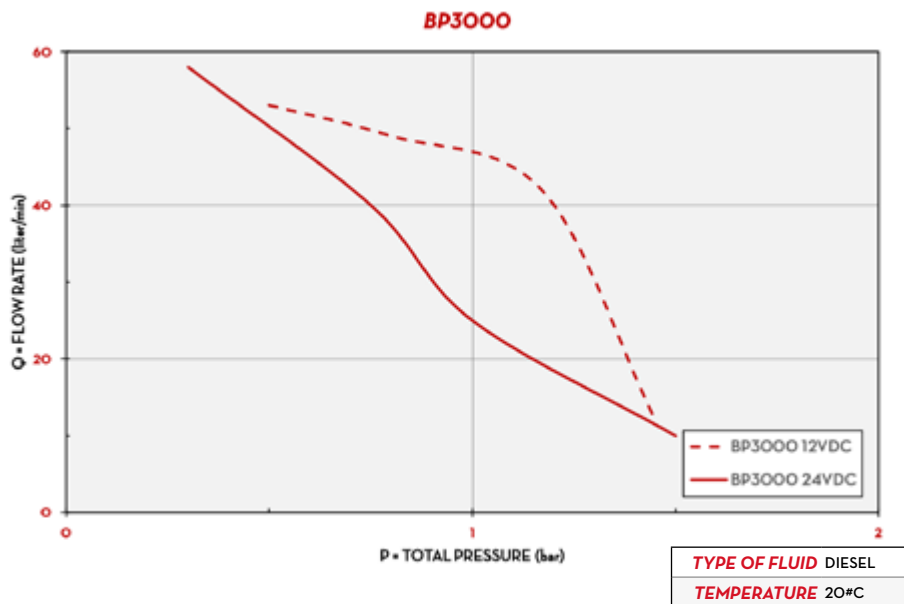
W

WATER

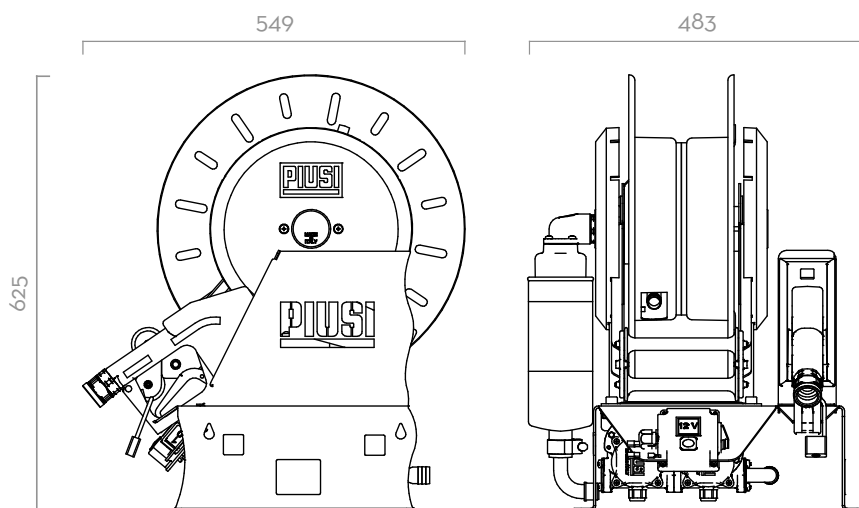
W

WINDSCREEN

## CHART



## DIMENSIONS



Dimensions expressed in millimeters

## IN THE BOX

- PITSTOP UNIT
- AUTOMATIC NOZZLE
- FILTER
- INSTRUCTION MANUAL

## DETAILS



ON/OFF SWITCH



PAD LOCK



BUILT-IN DC PUMPS



ADJUSTABLE ARM

## COMPONENTS

- **PUMP:**  
BP3000
- **FILTER:**  
WATER CAPTOR
- **NOZZLE:**  
A60

## TECHNICAL DATA

| CODE      | DESCRIPTION          | FLUIDS TYPE | FLOW RATE |      | VOLTAGE  |         |            | PUMP      |      | DUTY CYCLE | NOZZLE | HOSE |         | INLET |
|-----------|----------------------|-------------|-----------|------|----------|---------|------------|-----------|------|------------|--------|------|---------|-------|
|           |                      |             | L/MIN     | GPM  | AC V/ HZ | DC VOLT | POWER WATT | AMP. MAX. | TYPE |            |        | N°   | MINUTES |       |
| FOO212000 | PIUSI PITSTOP DC 12V | D           | 45        | 11,9 | 12       | 400     | 33         | BP 3000   | 2    | 30         | A60    | 14M  | 3/4"    | 1"    |
| FOO213000 | PIUSI PITSTOP DC 24V | D           | 45        | 11,9 | 24       | 620     | 26         | BP 3000   | 2    | 30         | A60    | 14M  | 3/4"    | 1"    |