

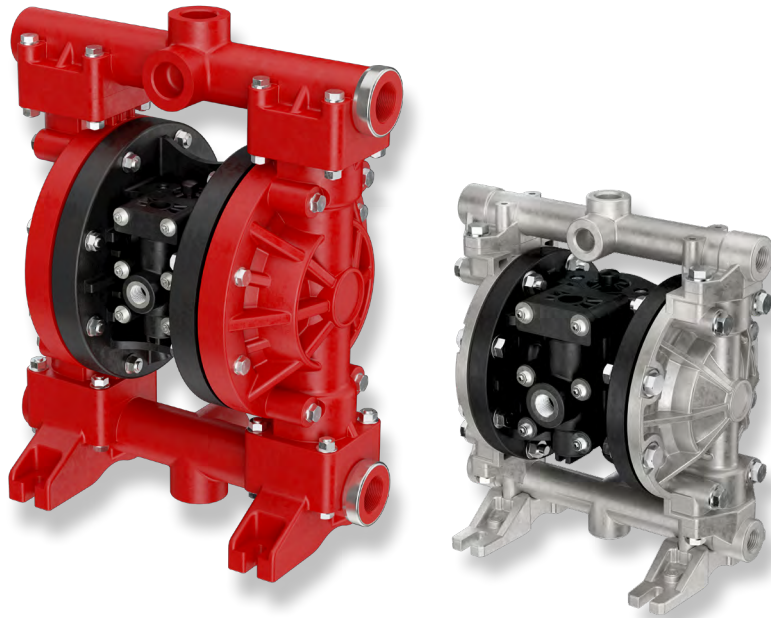


SINCE 1953 THE GLOBAL PLAYER
IN FLUID HANDLING

PRO ONE

THE NEW AODD PUMPS RANGE

Reliability and High Performance



PIUSI S.p.A. - 46029 Suzzara (Mantova)
Italy tel.+39 0376 534561
e-mail: piusi@piusi.com
www.piusi.com

Uncompromising performance

Innovation and the latest models introduce advanced technical improvements:

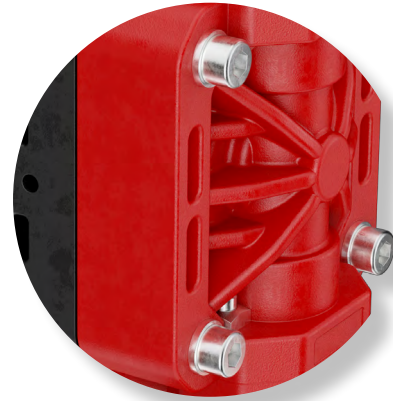
EASY REPAIRABILITY

The new air distributor design allows for simplified disassembly, providing direct external access for quicker and more efficient maintenance.



HIGH-PERFORMANCE MATERIALS

The plastic pumps are made of a reinforced technopolymer, ensuring greater resistance, reliability, and long-lasting durability.



LOWER CONSUMPTION

A new anti-stall system with an unbalanced valve ensures continuous operation without interruptions. Reduced air consumption, improved efficiency, and low noise levels.

EXTENDED DURABILITY FOR INTENSIVE USE

The Heavy Duty design ensures greater longevity of wear-prone components, reducing maintenance needs and operational costs.

Get to know PCHEM

PCHEM S.R.L. is a company within the PIUSI GROUP, offering innovative and high-quality solutions in the industrial pump sector and fluid management systems.

Born from PIUSI's industrial division— a global leader with over 70 years of experience in fluid handling— PCHEM stands out for its ability to integrate top-tier expertise and technologies.


This has been further strengthened by the acquisition of CAPITANIO AIRPUMPS, a company with over 45 years of specialization in manufacturing air-operated double diaphragm (AODD) and piston pumps. With this major achievement, our expertise has expanded to include a technologically advanced and innovative product range.

With an agile and highly specialized approach, PCHEM places customer satisfaction at the core of its business. We focus on delivering high-quality products and services, including tailored solutions to meet the specific needs of our clients.




AdBlue®

OLD versions

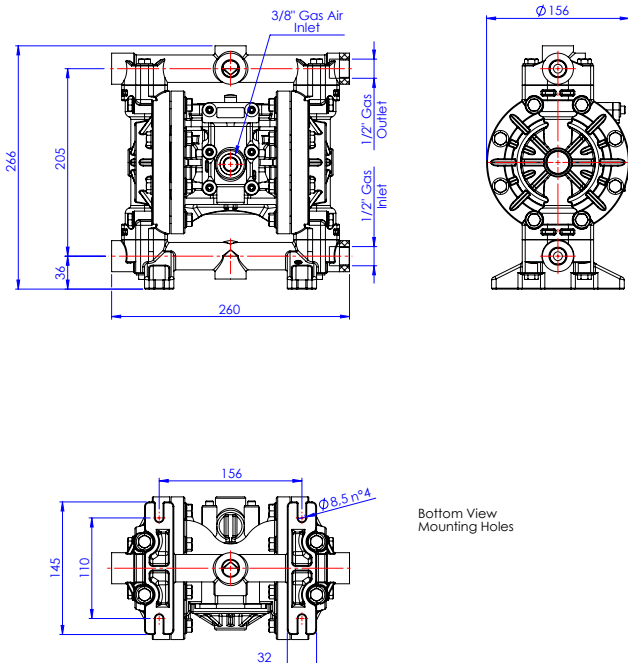
MP130	
Code F00208P00	
	Flow Rate: 50 l/min Max Suction Height: 5m Operating Pressure: 7 bar Solids Passage: Ø 4mm Inlet / Outlet: 1/2" BSP



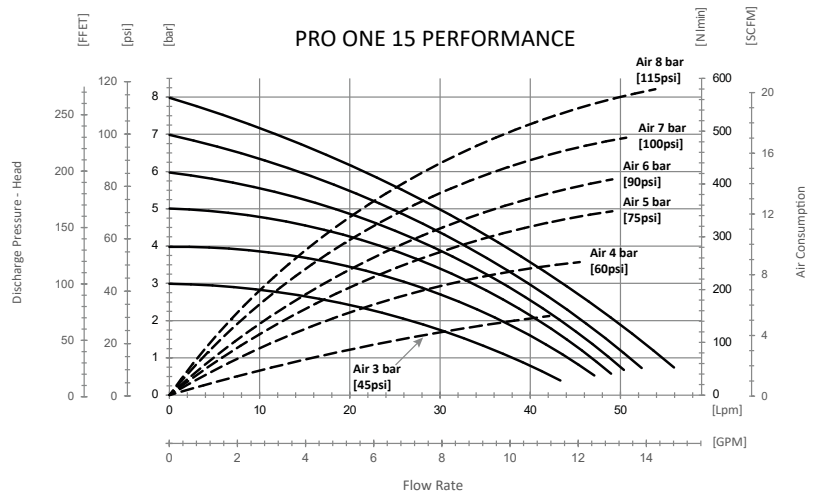
NEW version

(EX) PRO ONE 15 - MP 50 L/MIN		
Code F00808P00	TECHNICAL DATA	DESCRIPTION
	Flow Rate: 50 l/min Max Suction Height: 7m Air Operating Pressure: 7 bar Solids Passage: Ø 2,5mm Inlet / Outlet: 1/2" BSP	Air-operated double diaphragm pump (AODD), self-priming and anti-stall. Robust design, built for durability and easy maintenance.

OVERALL DIMENSIONS





PERFORMANCE



AdBlue®


OLD versions

MP140		MP180		MP190	
Code F00208P20		Code F00208P30		Code F00208P40	
	Flow Rate: 100 l/min Max Suction Height: 6m Operating Pressure: 7 bar Solids Passage: Ø 4mm Inlet / Outlet: 1" BSP		Flow Rate: 150 l/min Max Suction Height: 5m Operating Pressure: 7 bar Solids Passage: Ø 4mm Inlet / Outlet: 1" BSP		Flow Rate: 220 l/min Max Suction Height: 6m Operating Pressure: 7 bar Solids Passage: Ø 4mm Inlet / Outlet: 1 1/2" BSP

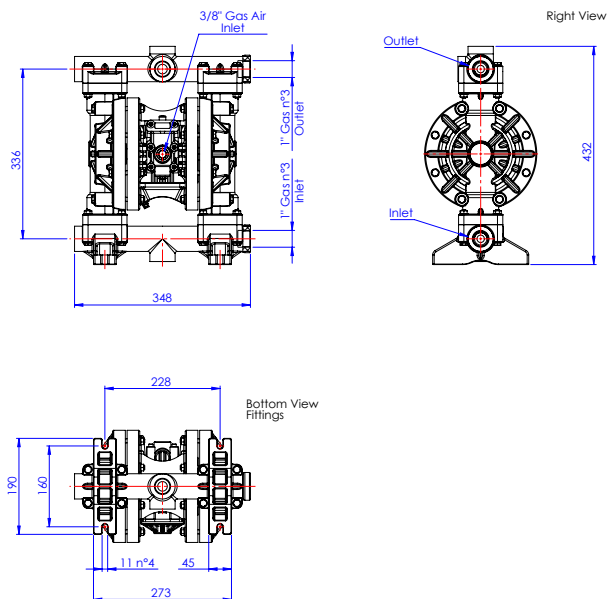
NEW version



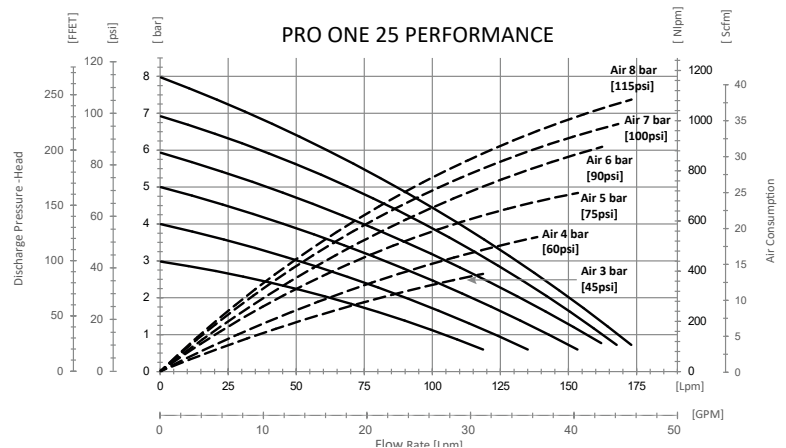
(EX) PRO ONE 25 - MP 160 L/MIN

Code F00808P20	TECHNICAL DATA	DESCRIPTION
	Flow Rate: 160 l/min Max Suction Height: 7m Air Operating Pressure: 7bar Solids Passage: Ø 5,1 mm Inlet / Outlet: 1" BSP	Air-operated double diaphragm pump (AODD), self-priming and anti-stall. Robust design, built for durability and easy maintenance.

OVERALL DIMENSIONS



PERFORMANCE



LUBE

OLD version

MA130	<p>Flow Rate: 50 l/min Max Suction Height: 6m Operating Pressure: 7 bar Solids Passage: Ø 4mm Inlet / Outlet: 1/2" BSP</p>
Code FO0208A00	
	

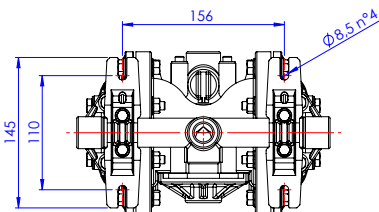
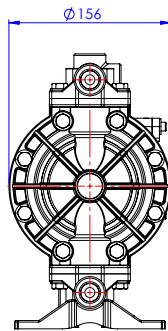
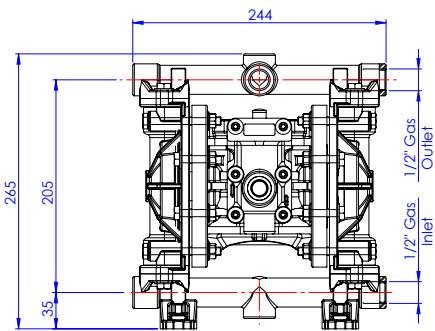
NEW version



(EX) PRO ONE 15 - MA 50 L/MIN

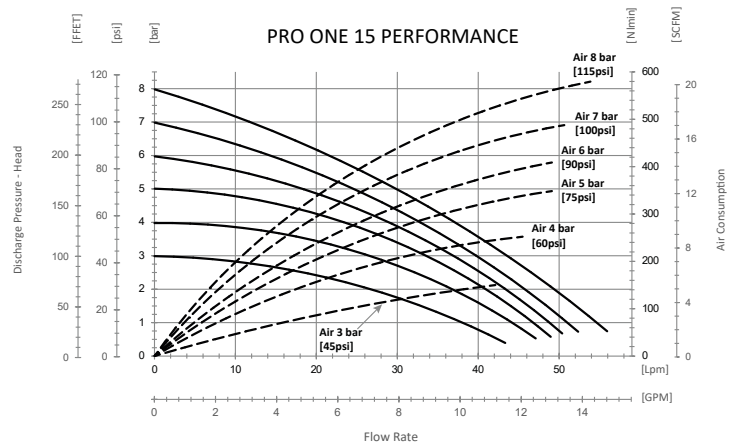
New Part number FO0808A00	TECHNICAL DATA	DESCRIPTION
	<p>Flow Rate: 50 l/min Max Suction Height: 7m Air Operating Pressure: 7 bar Solids Passage: Ø 2,5MM Inlet / Outlet: 1/2" BSP</p>	<p>Air-operated double diaphragm pump (AODD), self-priming and anti-stall. Robust design, built for durability and easy maintenance.</p>

OVERALL DIMENSIONS






Bottom View
Mounting Holes

PERFORMANCE



LUBE

OLD version

MA140		MA180		MA190	
Code F00208P10		Code F00208A10		Code F00208A20	
	Flow Rate: 100 l/min Max Suction Height: 6m Operating Pressure: 7 bar Solids Passage: Ø 4mm Inlet / Outlet: 1" BSP		Flow Rate: 150 l/min Max Suction Height: 5m Operating Pressure: 7 bar Solids Passage: Ø 4mm Inlet / Outlet: 1" BSP		Flow Rate: 220 l/min Max Suction Height: 6m Operating Pressure: 7 bar Solids Passage: Ø 4mm Inlet / Outlet: 1 1/2" BSP

NEW version



(EX) PRO ONE 25 - MA 160 L/MIN

Code
F00808A20



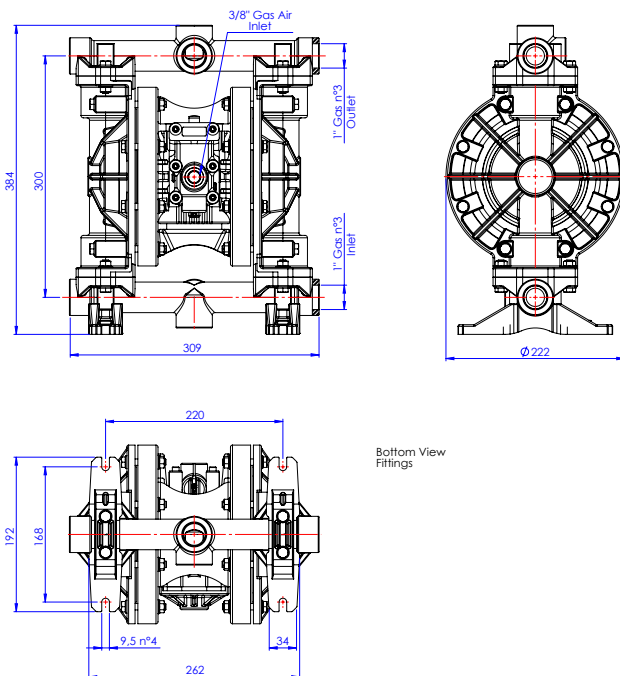
TECHNICAL DATA

Flow Rate: 160 l/min
Max Suction Height: 7m
Air Operating Pressure: 7 bar
Solids Passage: Ø 5,1mm
Inlet / Outlet: 1" BSP

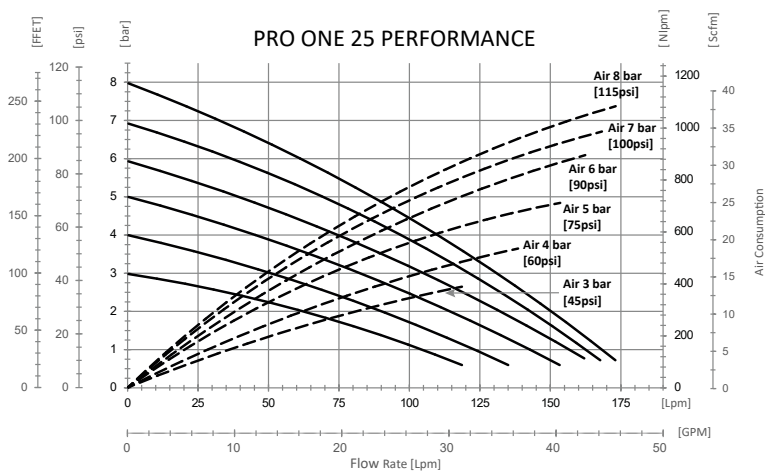
DESCRIPTION

Air-operated double diaphragm pump (AODD), self-priming and anti-stall.
Robust design, built for durability and easy maintenance.

OVERALL DIMENSIONS



PERFORMANCE





PART NUMBER	DESCRIPTION	FLOW RATE
F00808A00	(EX) PRO ONE 15 - MA 50 L/MIN	50 l/min



FLUID TYPE	PUMP MATERIAL
Diesel, Kerosene, Oil	Aluminium

PART NUMBER	DESCRIPTION	FLOW RATE
F00808P00	(EX) PRO ONE 15 - MP 50 L/MIN	50 l/min



FLUID TYPE	PUMP MATERIAL
AdBlue®, Antifreeze, Water, Windscreen	Reinforced PP

PART NUMBER	DESCRIPTION	FLOW RATE
F00808A20	(EX) PRO ONE 25 - MA 160 L/MIN	160 l/min



FLUID TYPE	PUMP MATERIAL
Diesel, Kerosene, Oil	Aluminium

PART NUMBER	DESCRIPTION	FLOW RATE
F00808P20	(EX) PRO ONE 25 - MP 160 L/MIN	160 l/min



FLUID TYPE	PUMP MATERIAL
AdBlue®, Antifreeze, Water, Windscreen	Reinforced PP

PIUSI

PIUSI S.p.A.

Headquarters
46029 Suzzara (Mantova) Italy
tel.+39 0376 534561
e-mail: piusi@piusi.com
www.piusi.com

PIUSI USA, Inc.

3901 Anglers Avenue Fort Lauderdale,
FL 33312
tel.: 954 584 1552
e-mail: piusiusa@piusi.com
www.piusi.com

