



KITS



PUMPS



METERS



METERED NOZZLES



NOZZLES



WASTE OIL EQUIPMENTS

K40

FEATURES

- SMALL SIZE
- NO BATTERY NEEDED
- EASY TO RESET
- NON RESETTABLE TOTALIZER
- SHOCK-ABSORBING PROTECTION
- IDEAL FOR MOBILE USE
- READY TO USE
- PARTIAL AND FULL TOTALIZER
- VERSATILE

The PIUSI K40 is a mechanical oval gear meter suitable for medium/high viscosity oils, without any need for calibration. It's the simplest way to measure a wide range of lubricants.

PERFORMANCE

UP TO 1-30 L/MIN	MAX 70 BAR
FLOW RATE	OPERATING PRESSURE
± 1 %	0,2%
ACCURACY	REPEATABILITY



K40



PACKAGING

CODE	WEIGHT		PACKAGING			N. BOXES/ EUROPALET	
	KG	LBS	MM	PCS/PALLET	PCS/BOX		
FO0490020	0,78	1,7	160X115X135		1	126	144



FILTRATION



FLUID MONITORING



TANK MONITORING



HOSE REELS



ACCESSORIES



MERCHANDISE

INDEX



AIR



ANTIFREEZE



AdBlue®



BIODIESEL



DIESEL



FOOD



GASOLINE



GREASE



KEROSENE



OIL

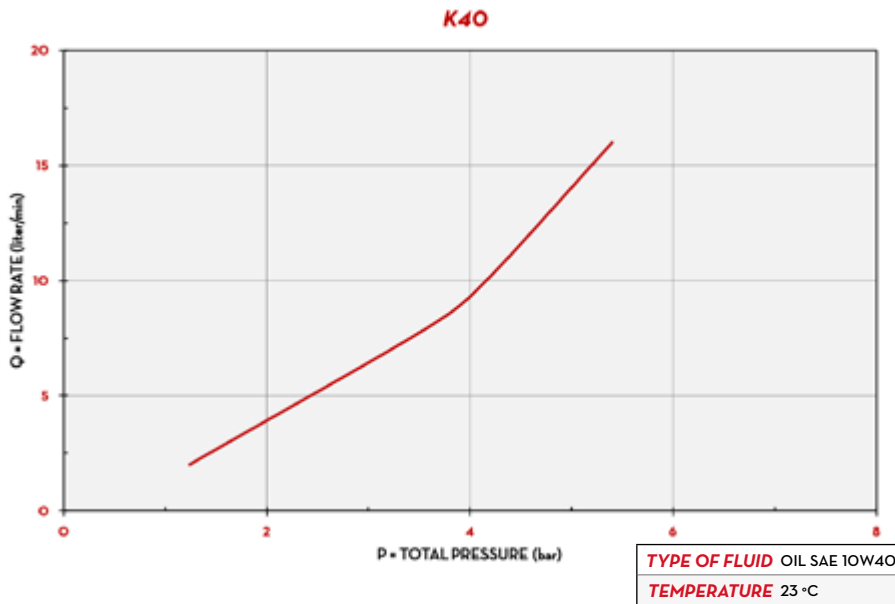


WATER

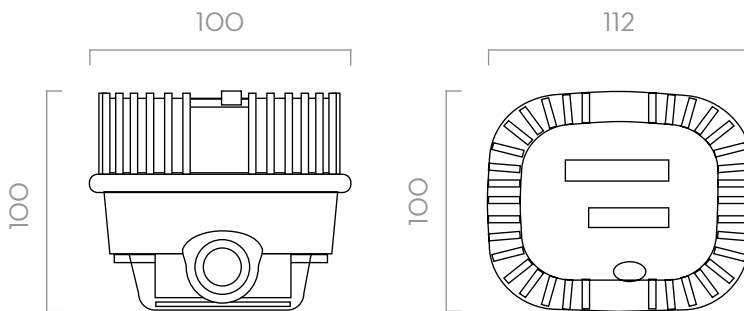


WINDSCREEN

CHART



DIMENSIONS



Dimensions expressed in millimeters

IN THE BOX

- K40 METER
- INSTRUCTION MANUAL

DETAILS



MECHANICAL COUNTER



TOTAL PARTIAL RESETTING



OVAL GEAR

MATERIALS

- BODY: ALLUMINIUM
- GEARS: TECHNOPOLYMER

TECHNICAL DATA

CODE	DESCRIPTION	FLUIDS TYPE	FLOW RATE		WORKING PRESSURE		INLET	OUTLET
			L/MIN	GPM	BAR	PSI		
FO0490020	K40 METER -" BSP		1-30	0,26 - 7,8	70	994	1/2" BSP	1/2" BSP

UPON REQUEST AVAILABLE IN NPTF VERSION AND DISPLAY IN GALLON/QUARTER OR PINT