



FUEL MANAGEMENT SYSTEMS



DISPENSERS



KITS



PUMPS



METERS



NOZZLES

# DRUM

## FEATURES

- EASY TO INSTALL
- SUITABLE FOR ALL DRUMS
- DIFFERENT PUMPS FOR ANY NEED
- AC/DC VERSIONS

PIUSI DRUM is a compact fuel transfer unit specifically designed for drums and barrels, thanks to the 2" quick coupling. Available with different pumps, the unit is always equipped with a telescopic suction tube and a nozzle holder for easy, clean, and safe operations.

Mechanical flow meter K90 available.

### PERFORMANCE

UP TO

**80 L/MIN**

FLOW RATE

**AC/DC**

VOLTAGE

**± 1%**

ACCURACY



**DRUM PANTHER 56 K90**

### PACKAGING

CODE		WEIGHT		PACKAGING		
WITHOUT METER	WITH METER	KG	LBS	MM	INCH	PCS/BOX
OO0271POO	FO0272POA	13,5	29,8	480X370X265	18,3X14,6X10,4	1
OO0273POO	OO0274POA	14,4	31,7	480X370X265	18,3X14,6X10,4	1
-	FO022205B	20,7	45,6	480X370X265	18,3X14,6X10,4	1
-	FO022206B	20,7	45,6	480X370X265	18,3X14,6X10,4	1
-	FO022207B	21,6	47,6	480X370X265	18,3X14,6X10,4	1
-	FO022208B	21,6	47,6	480X370X265	18,3X14,6X10,4	1
-	FO034111D	14,7	31,7	480X370X265	18,3X14,6X10,4	1



FILTRATION



TANK MONITORING



HOSE REEL



ACCESSORIES



MERCHANDISE

## INDEX



ANY BIODIESEL



AIR



ANTIFREEZE



AdBlue®



BIODIESEL



DIESEL



FOOD



GASOLINE



GREASE



KEROSENE



OIL

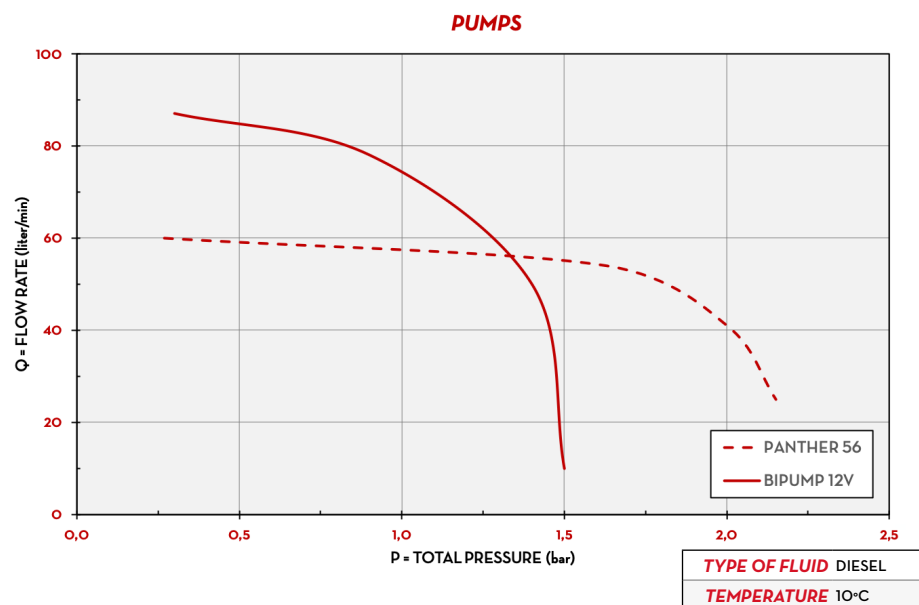


WATER



WINDSCREEN

## CHART



## IN THE BOX

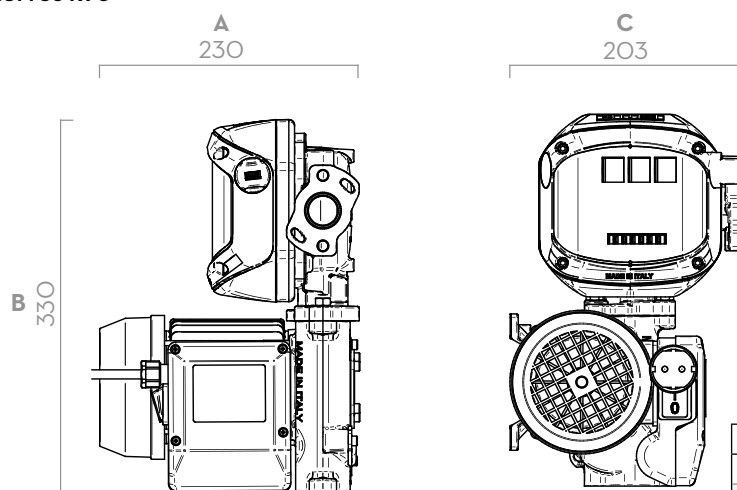
- PUMP
- PVC TELESCOPIC SUCTION PIPE
- DELIVERY HOSE
- NOZZLE
- 2" CONNECTOR
- K90 MECHANICAL METER (ON REQUEST)
- INSTRUCTION MANUAL

## DETAILS



## DIMENSIONS

### DRUM 56 K90



Dimensions expressed in millimeters

## COMPONENTS

- **PUMPS:**  
PANTHER AC  
BIPUMP  
PANTHER DC
- **METER:**  
K90

	A	B	C
<b>DRUM 56</b>	240	310	170
<b>DRUM BIPUMP K90</b>	290	330	200
<b>DRUM PANTHER DC K90</b>	252	330	203

## TECHNICAL DATA

CODE		DESCRIPTION	FLUIDS TYPE	FLOW RATE		VOLTAGE			METER	NOZZLE	INLET	HOSE
WITHOUT METER	WITH METER			L/MIN	GPM	AC V./HZ DC VOLT	POWER WATT	AMP. MAX.				
000271POO	FOO272POA	DRUM 56 K90	D	56	15	230/50	350	3	K90	SELF2000	3/4"	4M
000273POO	OOO274POA	DRUM 56 K90 A60	D	56	15	230/50	350	3	K90	A60	3/4"	4M
-	FOO22205B	DRUM BIPUMP 12V K90	D	80	21	12V	530	44	K90	SELF2000	1"	4M
-	FOO22206B	DRUM BIPUMP 24V K90	D	80	21	24V	540	22,5	K90	SELF2000	1"	4M
-	FOO22207B	DRUM BIPUMP 12V K90 A120	D	80	21	12V	530	44	K90	A120	1"	4M
-	FOO22208B	DRUM BIPUMP 24V K90 A120	D	80	21	24V	540	22,5	K90	A120	1"	4M
-	FOO3411ID	DRUM PANTHER DC 24/12V K90 A60	D	56	15	24/12V	420/150	25/16A	K90	A60	3/4"	4M